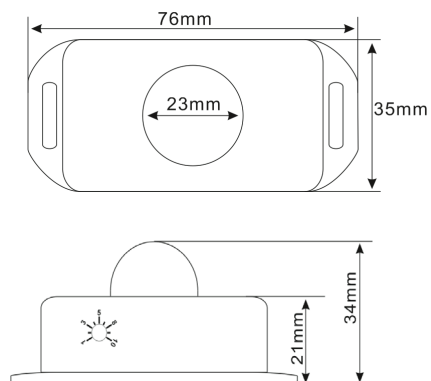


## RÖRELSEDETEKTOR IR 6A 12/24V

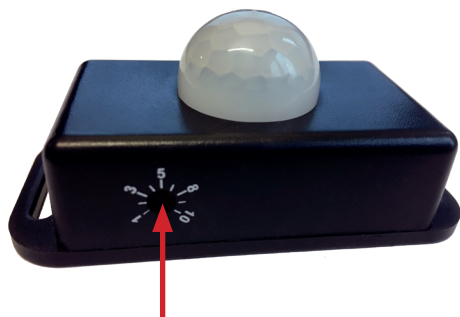
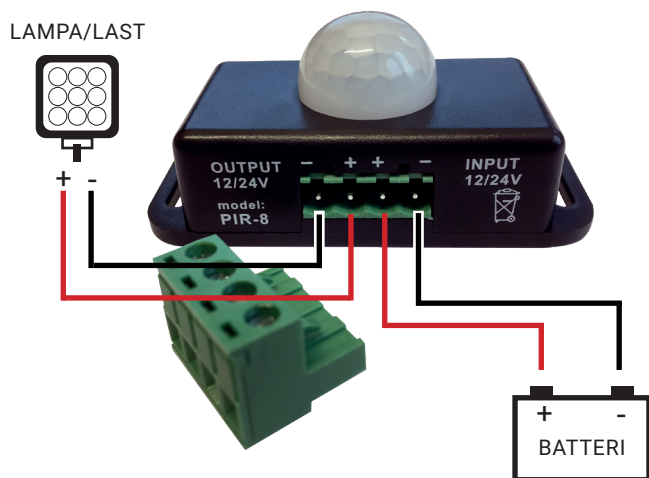
Art. nr: 16-E028032

### Teknisk information

Spänning	12/24V
Max last	6A
Räckvidd	ca. 8 m
Fördröjning	1-10 min (justerbart)
Arbetstemperatur	-20°C - +60°C
Sensors täckningsvinkel	60°
Mått (LxBxH)	76 x 35 x 34 mm
Vikt	32 g



Anslut lasten till "output" och inspänningen på "input" i det medföljande kontaktstycket. Observera polariteten. På baksidan sitter en justeringsskruv, med denna skruv kan du justera frånslagsfördröjningen på ett spann mellan 1-10 minuter.



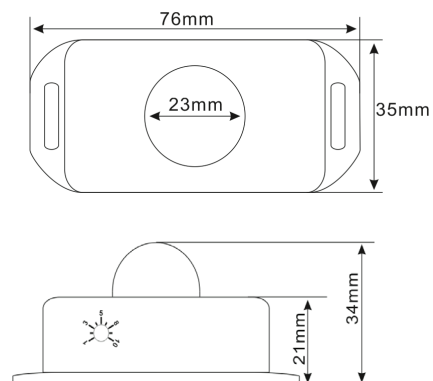
Justeringsskruv för frånslagsfördröjning.

## PIR MOTION SENSOR IR 6A 12/24V

Part no: 16-E028032

### Specification

Voltage	DC 12/24V
Max output	6A
Sensing distance	ca. 8 m
Delay time	1-10 min (adjustable)
Working temperature	-20°C - +60°C
Sensor angle	60°
Dimension (LxWxH)	76 x 35 x 34 mm
Net weight	32 g



The PIR sensor is an infrared detection sensor switch controller, the use of infrared detection control the load of the switch.

### Direction for Use

1. Connect the load wire at first, following by the power wire; **Please ensure short circuit cannot occur between connecting wire before you turn on the power.**
2. There is a time setting knob on the back of the controller, rotate the knob, you can set the delay time of human body induction switch, when detecting someone, it lights up the light, and after the time of people leaving reaches the set delay time, the light will be turn off automatically.
3. The controller signal output line and input line should be connected correctly.

### Typical Application

