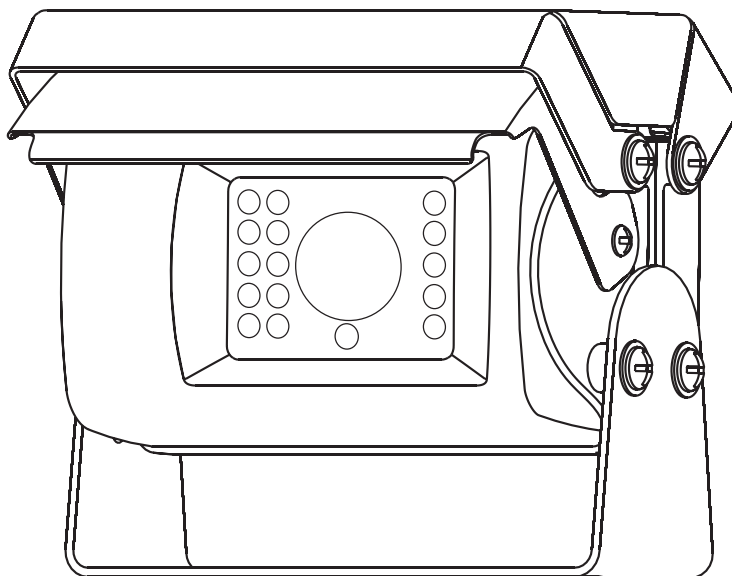


AUTO SHUTTER AHD CAMERA OWNER'S MANUAL

27-CM11AHD



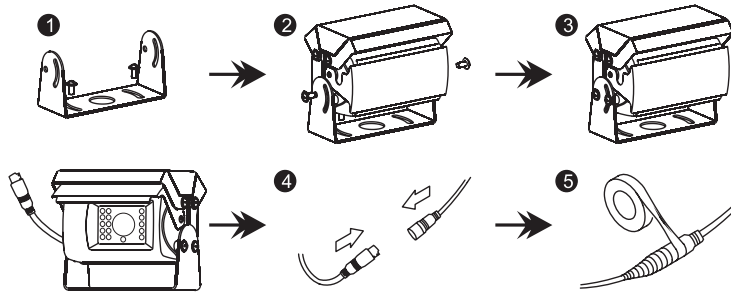
FEATURES

The camera is designed for automotive rearview system to provide the driver with a view of the rear vehicle.

- Motorized shutter.
- You can use the camera by a DC 12V/200mA.
- The camera utilizes a CMOS image sensor having a high quality picture.
- The automatically day/night sensor and infrared LEDs to provide clear image in dull condition.
- Waterproof housing for long term outdoor usage.
- Operates over a wide temperature range.

INSTALLATION

1. Fix the camera bracket on the vehicle firmly.
2. Install the camera.
3. Installation finished.
4. Attach the camera cable to the extension cable.
5. Seal with supplied silicon tape to ensure waterproof. Run extension cable inside vehicle.



CLEANING AND CARING

Caution!

Do not use sharp or hard objects to clean the device as these may damage the device.

- ◇ Clean the camera with a soft, damp cloth from time to time.

CHECKING AND SETTING

- ◇ Check the function of the camera after you have connected it to a monitor.
- ◇ Align the camera using the image on the monitor to help you:
The monitor image should show the rear or the bumper of the vehicle at the bottom edge of the screen. The middle of the bumper should be in the middle of the screen.
- ◇ Tighten the six fastening screws of the camera bracket.

Settings for contrast and brightness can be made on the monitor.

SPECIFICATIONS

Image type	1/3 CMOS
Color system	PAL/ NTSC
Resolution (pixels)	1280*960
Image size	1/3 inch
Lens	3.0 mm, F2.0
Lens angle	125(D)*95(H)*69(V) 18 pcs LED for night vision(10-12M)
Synchronization	Internal
Waterproof & dust resistance grade	IP68
Power supply	DC12V±10%
Power consumption	≤2.5W
Signal to noise ratio	>44dB
Operating temperature range	-20° to +70°
Storage temperature range	-40° to +80°
Dimension	105(L)*65(H)*93(D) mm
Weight	588 g